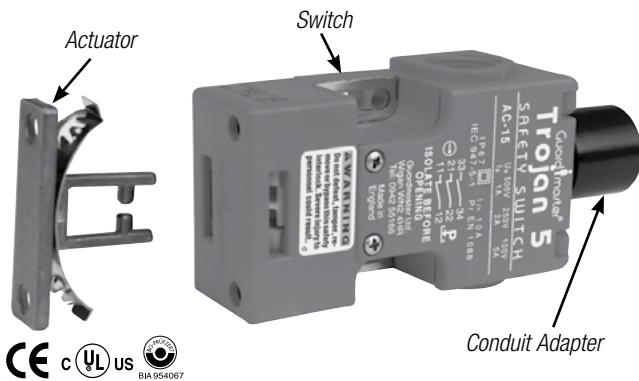


TROJAN 5 STANDARD SAFETY SWITCH INSTALLATION MANUAL

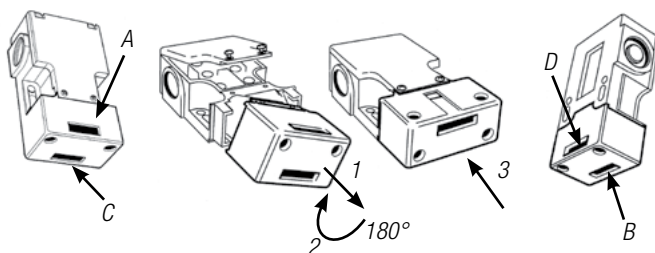


INTRODUCTION

This switch can be used to interlock hinged, sliding or lift-off shields or guards. Closing the shield or guard causes the actuator to enter the switch and release the dual antitamper locking cams. The actuator allows the main center cam to rotate and make the switch contacts. When opening the guard, the actuator forces the contacts open due to the cam action built into the switch.

This versatile switch has four different entry positions. The first two positions are either front entry A, or end bottom entry C. The second two positions are a rear entry D, or end top entry B. The end cap of this switch can be slid off, rotated, and replaced to provide the second two positions described. See Figure 1.

Figure 1

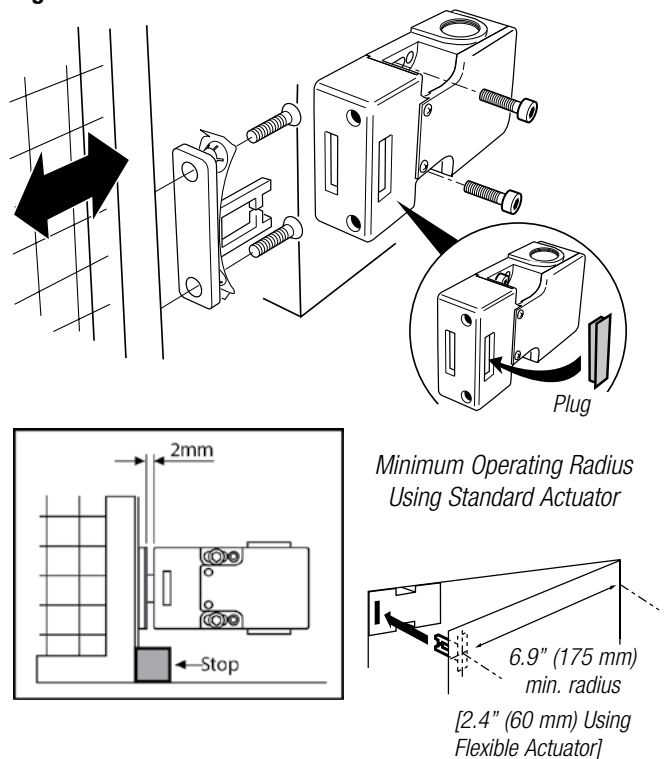


INSTALLATION

When mounting this switch, make sure dirt cannot fall into the entry slots; this could shorten the life of the safety switch. Unused slots can be closed with special plastic caps. The switch housing must not be used as a backstop for the guard. When the actuator is completely inserted, there is no return force on the actuator; therefore, lightweight guards will not be pushed open by the force within the switch. When mounting the switch, use Allen-head screws. The actuator can be mounted with two countersunk screws. To prevent any loosening of the mounting screws, suitable adhesive or other special screws can be used.

The switch is dust proof and waterproof, and has protective insulation. It has three tapped conduit entries. They can be used, as required, by threading in a conduit adapter that will punch out the opening. When doing this, remove the broken-off parts from inside the switch area. Only conduit adapters having adequate seating properties should be used. To open the lid, simply loosen the two cover screws (see Figure 2). Wire connection is made at terminals, with self-lifting wire clamps.

Figure 2

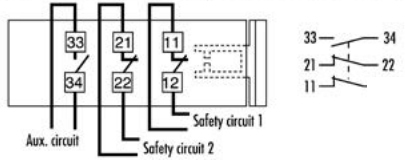


TROJAN 5 STANDARD SAFETY SWITCH

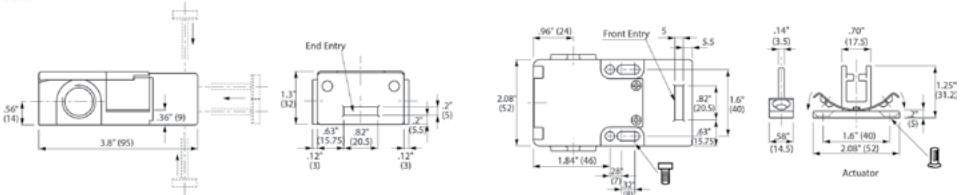
TECHNICAL SPECIFICATIONS

Safety Contacts 2 NO
 Auxiliary Contact 1 NC
 Switching Ability 1 A @ 500 V AC, 2 A @ 250 V AC
 5 A @ 100 V AC, 0.5 @ 250 V DC, 2 A @ 24 V DC
 Operating Temperature -4° to 176°F (-20° to 80°C)

Connection details (shown with guard closed, actuator inserted)



Safety contacts are NO when the actuator is not inserted in the switch.

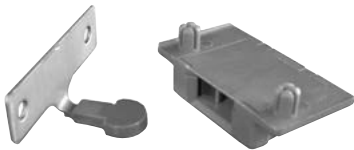


ORDERING INFORMATION

Part No.	Description
CMC-148	Switch With Actuator and Conduit Adapter
CMC-149	Mechanical Catch Kit
CMK-095	Fully Flexible Actuator
CMK-074	Spare Actuator
CMK-066	Spare Conduit Adapter

OPTIONAL ACCESSORIES

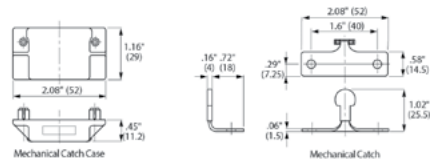
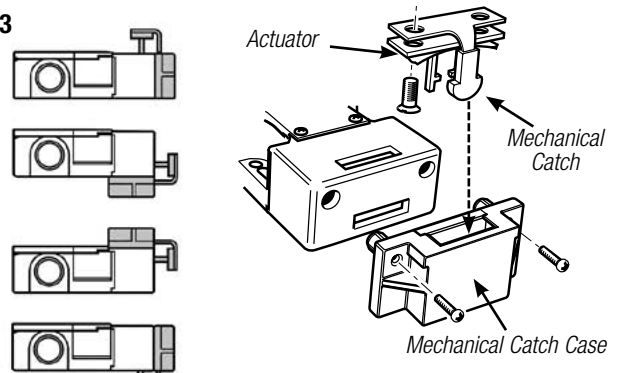
MECHANICAL CATCH KIT



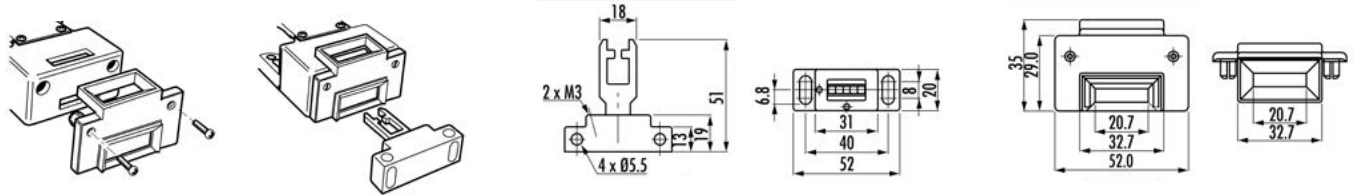
This mechanical catch kit is used to hold guard doors closed that would otherwise need a separate latch mechanism. It is ideal for machines that vibrate. The mechanical catch has 11 pounds of holding force.

Determine the position of the mechanical catch kit (see Figure 3). Mount the mechanical catch case to the bottom or side of the switch using the two screws provided. Mount the actuator to the mechanical catch. When mounting the actuator and mechanical catch kit, make sure they do not act as a backstop for the guard.

Figure 3



FLEXIBLE/ADJUSTABLE ACTUATOR AND GUIDE



WARRANTY

Rockford Systems, LLC warrants that this product will be free from defects in material and workmanship for a period of 12 months from the date of shipment thereof. ROCKFORD SYSTEMS LLC'S OBLIGATION UNDER THIS WARRANTY IS EXPRESSLY AND EXCLUSIVELY LIMITED to repairing or replacing such products which are returned to it within the warranty period with shipping charges prepaid and which will be disclosed as defective upon examination by Rockford Systems, LLC. This warranty will not apply to any product which will have been subject to misuse, negligence, accident, restriction and use not in accordance with Rockford Systems, LLC's instructions or which will have been altered or repaired by persons other than the authorized agent or employees of Rockford Systems, LLC. Rockford Systems, LLC's warranties as to any component part is expressly limited to that of the manufacturer of the component part.

DISCLAIMER

The foregoing Warranty is made in lieu of all other warranties, expressed or implied, and of all other liabilities and obligations on the part of Rockford Systems, LLC, including any liability for negligence, strict liability, or otherwise, and any implied warranty of merchantability or fitness for a particular purpose is expressly disclaimed.

LIMITATION OF LIABILITY

Under no circumstances, including any claim of negligence, strict liability, or otherwise, shall Rockford Systems, LLC be liable for any incidental or consequential damages, or any loss or damage resulting from a defect in the product of Rockford Systems, LLC.