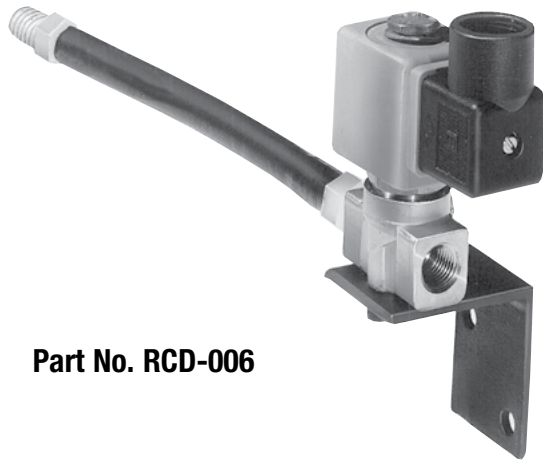




SOLENOID AIR VALVE ASSEMBLY INSTALLATION MANUAL



Part No. RCD-006

DESCRIPTION

Part No. RCD-006 Solenoid Air Valve Assembly consists of the following parts:

Solenoid Valve—Three-way normally closed, quick exhaust with 120V, 60HZ operating coil(1)

Connector—90° female with 1/2" conduit hub (1)

Mounting Bracket—Angle type with four drilled mounting holes (1)

Valve Mounting Screws—Socket head type (2)

Valve Mounting Lock Washers—External tooth type (2)

Flexible Rubber Hose With Fittings—6" length (1) (When solenoids are furnished to operate gate assemblies or furnished as a replacement part, the hose is not supplied.)

INSTALLATION

A packing list is always enclosed showing exactly what material was shipped on this order. Please check the components actually received against this packing list immediately.

Assemble the mounting bracket to the base of the valve and orient this assembly so that the air outlet port marked "1" on the valve body points toward the air cylinder and is within reach of the flexible hose. Next attach the hose to the No. 1 port on the solenoid valve and mount the valve assembly on the machine frame allowing sufficient flexibility to accommodate cylinder movement (see Figure 1).

Note: It is extremely important to use the rubber hose provided for the connection between the solenoid valve and the air cylinder. It provides the necessary flexibility, size, and length for proper exhaust of cylinder air. These are all required for successful machine operation for trip control on a full revolution clutch mechanical power press.



This air valve requires clean air. Blow all lines clean of dirt, scale, etc., before making final connection.

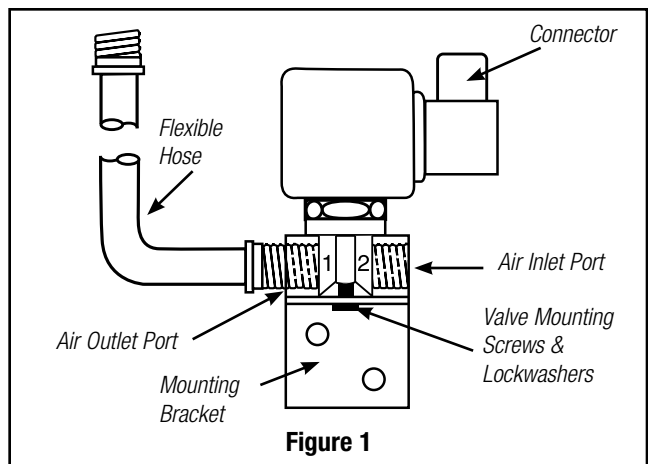


Figure 1

WIRING

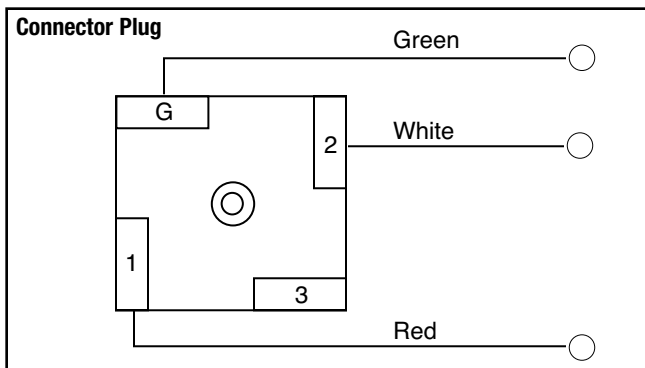
Please refer to the control schematic for proper wire numbers.

Run one red wire to No. [1] terminal.

Run one white wire to No. [2] terminal.

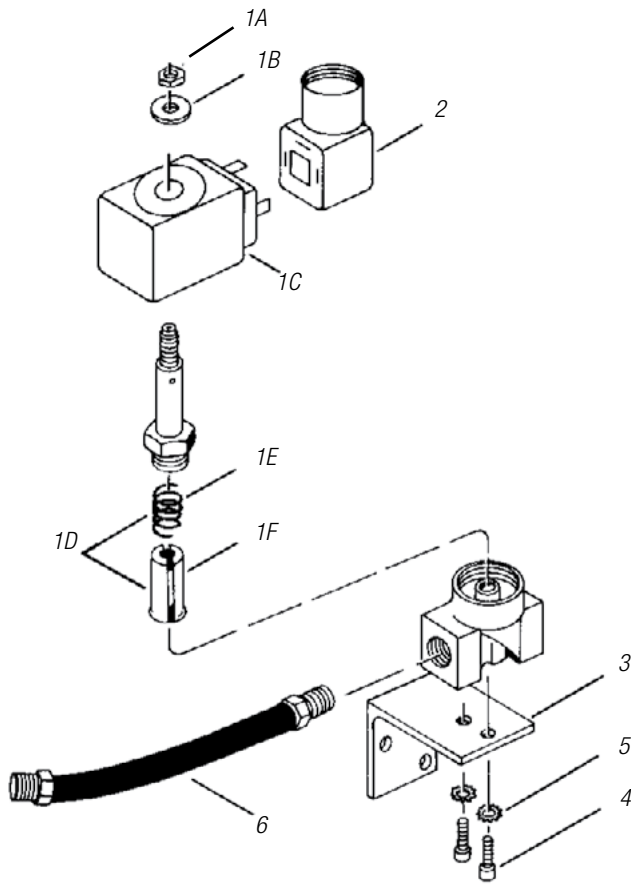
Run one green wire to No. [G] terminal.

*Note: No. [3] terminal is **not** used.*



REPLACEMENT PARTS

Solenoid Air Valve



Item	Part No.	Description
1	RCD-047	Solenoid Valve
1A	—	Nut - Metric Thread M20 x 1
1B	—	WaveWasher
1C	RCD-004	Coil - 120V, 60Hz
1D	RCD-016	Plunger Repair Kit including Parts 1E - Spring and 1F - Plunger Body
1E	—	Plunger Spring
1F	—	Plunger Body
2	RCS-037	Connector
3	RCD-011	Mounting Bracket
4	FSC-019	Cap Screw (2) 10-24 x 3/8" Socket Head
5	FST-510	Lock Washer (2) No. 10 External Tooth
6	RCS-009	Hose - Flexible (6" Long)



This equipment is specifically chosen for this application and must not be replaced except by an exact replacement. If repairs are required, use only the above referenced parts.

WARRANTY, DISCLAIMER AND LIMITATION OF LIABILITY

WARRANTY

Rockford Systems, LLC warrants that this product will be free from defects in material and workmanship for a period of 12 months from the date of shipment thereof. ROCKFORD SYSTEMS LLC's OBLIGATION UNDER THIS WARRANTY IS EXPRESSLY AND EXCLUSIVELY LIMITED to repairing or replacing such products which are returned to it within the warranty period with shipping charges prepaid and which will be disclosed as defective upon examination by Rockford Systems, LLC. This warranty will not apply to any product which will have been subject to misuse, negligence, accident, restriction and use not in accordance with Rockford Systems, LLC's instructions or which will have been altered or repaired by persons other than the authorized agent or employees of Rockford Systems, LLC. Rockford Systems, LLC's warranties as to any component part is expressly limited to that of the manufacturer of the component part.

DISCLAIMER

The foregoing Warranty is made in lieu of all other warranties, expressed or implied, and of all other liabilities and obligations on the part of Rockford Systems, LLC, including any liability for negligence, strict liability, or otherwise, and any implied warranty of merchantability or fitness for a particular purpose is expressly disclaimed.

LIMITATION OF LIABILITY

Under no circumstances, including any claim of negligence, strict liability, or otherwise, shall Rockford Systems, LLC be liable for any incidental or consequential damages, or any loss or damage resulting from a defect in the product of Rockford Systems, LLC.