

FERROCODE MAGNETIC SAFETY SWITCH INSTALLATION MANUAL

INTRODUCTION

These reed-type switches are magnetically actuated and offer noncontact reliability along with tolerance for misalignment. They are totally submersible, which makes them ideal for environments where hygiene is important. Each switch is supplied with a prewired 13-foot cable.

INSTALLATION

Mount the switch and actuator on nonferrous materials, using the screws provided. The gap between the switch and actuator should be 2mm (see Figure 1). Align the targets and mount the switch and actuator so they will be parallel when the guards close (see Figure 2). When mounting more than one safety switch, make sure they are minimum of 50 mm apart (see Figure 3).



Figure 1

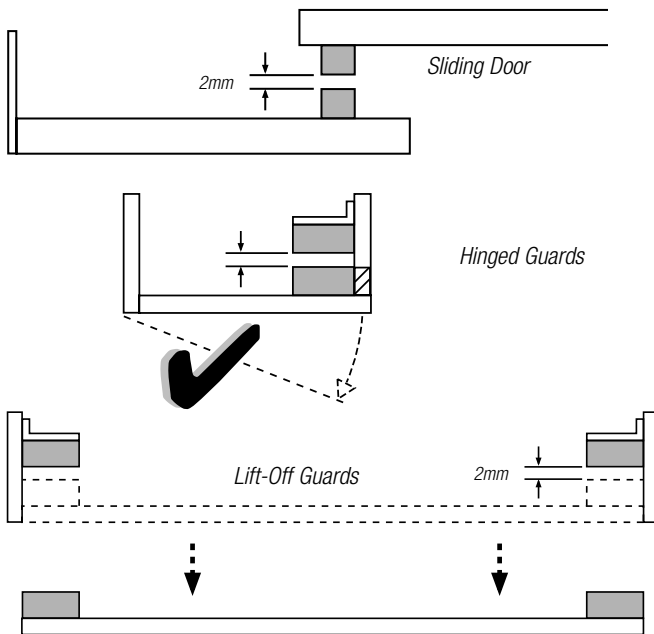


Figure 2

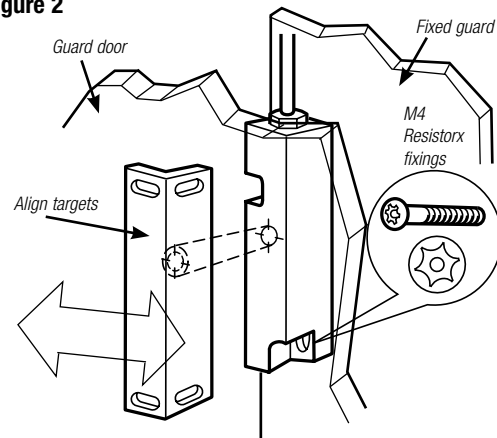
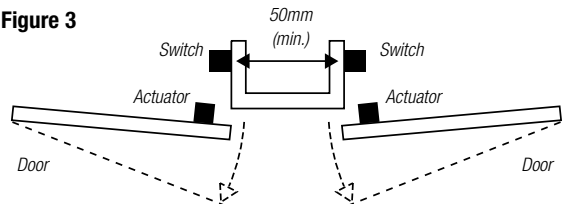


Figure 3



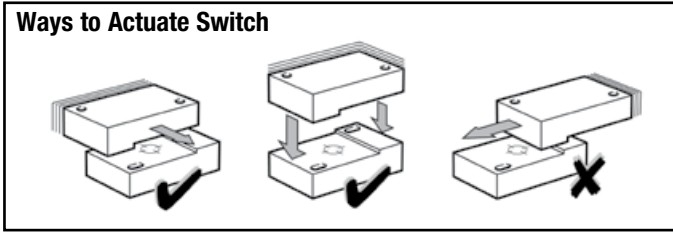
CAUTION The actuator must not strike the sensor.

CAUTION Use of anaerobic thread-locking compounds can have a detrimental affect if they come into contact with the plastic switch case.

© 2019 Rockford Systems, LLC All rights reserved. Not to be reproduced in whole or in part without written permission. Litho in U.S.A.

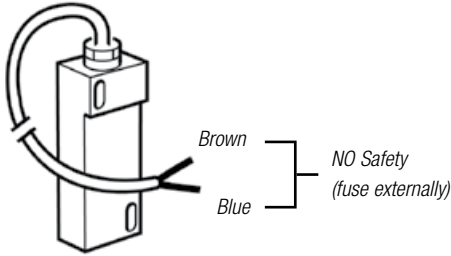
FORROGARD MAGNETIC SAFETY SWITCH

Ways to Actuate Switch

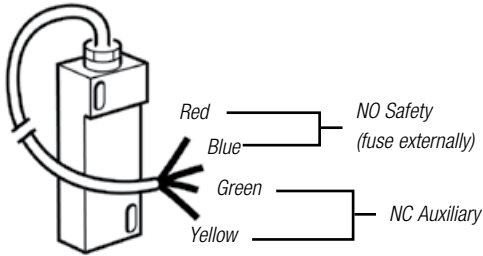


Connection Diagrams

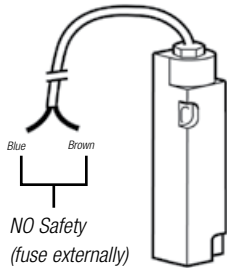
CMC-094



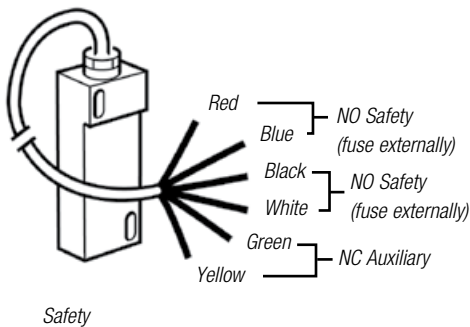
CMC-095



CMC-097



CMC-098



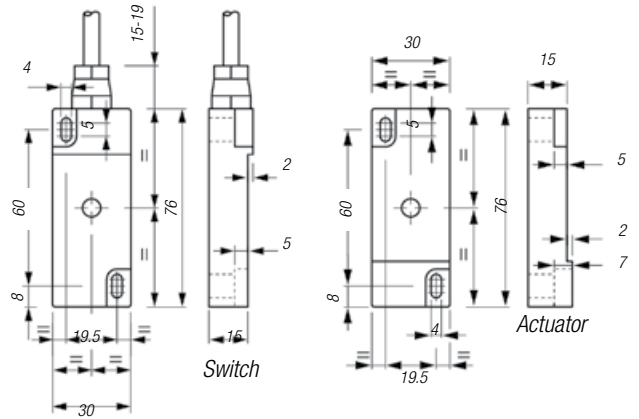
TECHNICAL SPECIFICATIONS

Rated Current.....2 A, fuse externally 1.6 A quick acting
 Rated Voltage 250 VAC
 Safety Contact Operating Distance
 Make 0.47" (12 mm), Break 0.91" (23 mm)
 Operating Temp..... 14°F to 149°F (-10°C to 65°C)
 Cable: 13 feet of prewired 2-conductor flexible
 cable (CMC-094/CMC-097)
 Cable: 13 feet of prewired 4-conductor
 flexible cable (CMC-095)
 CMC-097 3.3" H x .75" W x .6" D
 (84 H x 19 W x 16 D mm)
 CMC-098: 3" H x 1.2" W x .6" D
 (76 H x 30 W x 15 D mm)

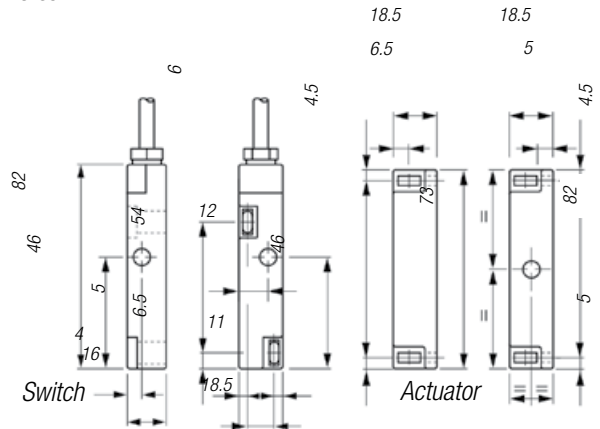
SPARE PARTS

CMK-096 — Spare actuator for CMC-094, CMC-095, and CMC-098
 CMK-075 — Spare actuator for CMC-097

CMC-094, CMC-095, and CMC-098



CMC-097



(Dimensions shown are in millimeters)

Safety contacts are normally open (NO) when the actuator is not actuating the switch.