

INSTALLATION MANUAL FOR ATLAS 5 LOCKING SAFETY SWITCH

INTRODUCTION

This switch is designed for machine systems that have an inherent run-down times and present a hazard to personnel even after the stop button has been pressed. This switch locks the guard until the machine power is isolated. It also ensures that the machine remains electrically isolated while the guard is open. It provides two safety contacts and two auxiliary contacts.

The guard may only be opened when a signal is applied to the internal solenoid which releases the lock mechanism. This signal can be provided by an optional timer or a stopped-motion detector. The locking system on this switch holds the actuator closed with 1,236 pounds of force. If power is lost, a Torx screwdriver can be used to override mechanical releases built into the switch. An indicator light on the lid shows the switch status.

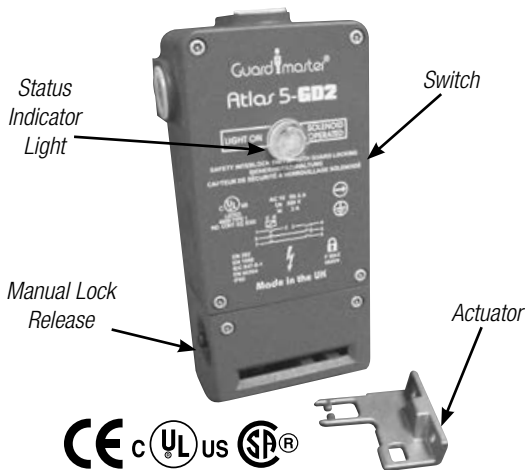
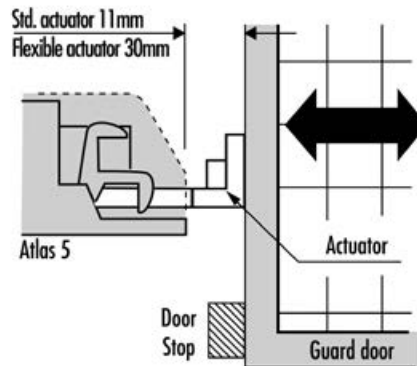
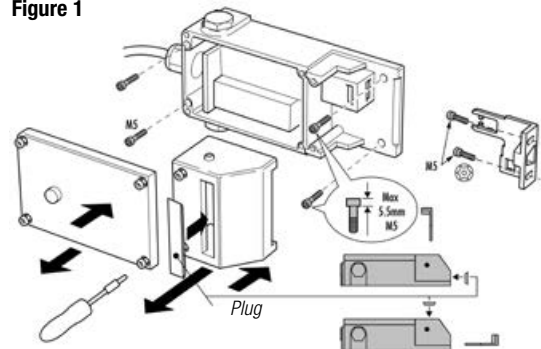
Each switch includes an actuator that can be used for front or end entry.

INSTALLATION

The switch is dustproof and waterproof, and has protective insulation. To remove the cover, simply loosen the screws (see Figure 1). Wire connections are made at terminals, with self-lifting wire clamps. Make sure the switch cannot be opened until all hazardous machine motion has stopped.

When mounting this switch, make sure dirt cannot fall into the entry slots since this could shorten the life of the safety switch. Insert the blanking plug into the unused entry slot (see Figure 1).

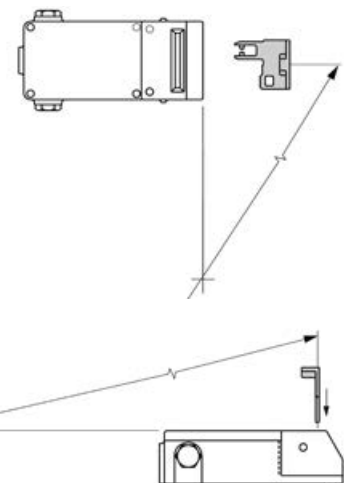
Figure 1



Minimum Operating Radius Using Standard Actuator on Hinged Guards

11.8" (300 mm)
min. radius
[11" (280 mm) Using Flexible Actuator]

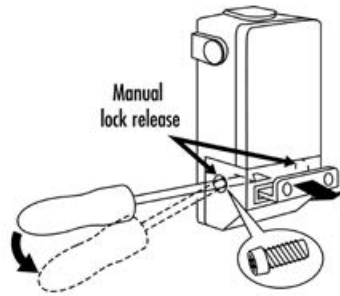
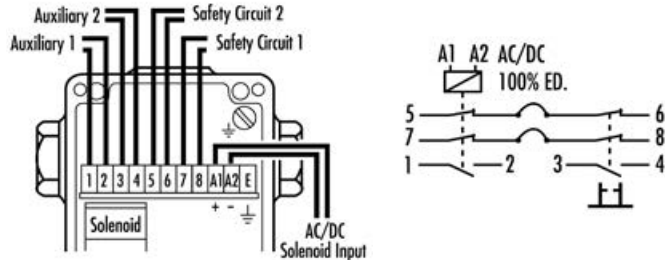
31.5" (800 mm)
min. radius
[28.5" (725 mm) Using Flexible Actuator]



ATLAS 5 LOCKING SAFETY SWITCH

Connection Details (Shown with guard closed, actuator inserted)

If power is lost, a supervised manual lock release is built into the switch. To release the lock on this switch, loosen the screw as shown. Using a small, pointed tool, manually release the locking mechanism.



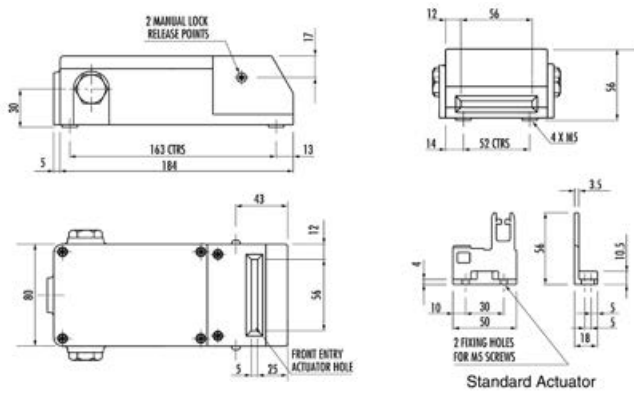
TECHNICAL SPECIFICATIONS

Safety Contacts 2 NO
 Auxiliary Contacts 2 NC
 Power 13-W continuously rated 24-V
 or 115-V AC/DC solenoid
 Case Heavy-duty cast alloy
 Actuator Stainless steel
 Operating Temperature 14° to 140°F
 (-10° to 60°C)

Safety contacts are NO when the actuator is not inserted in the switch.

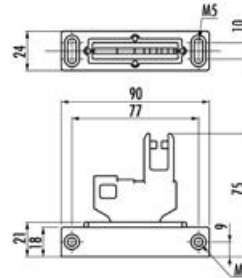
ORDERING INFORMATION

Part No.	Description
CMC-161	24-V AC/DC Switch with Actuator
CMC-162	115-V AC/DC Switch with Actuator
CMK-097	Fully Flexible Actuator
CMK-072	Spare Actuator



(Dimensions shown are in millimeters)

OPTIONAL FULLY FLEXIBLE ACTUATOR



(Dimensions shown are in millimeters)

WARRANTY, DISCLAIMER AND LIMITATION OF LIABILITY

WARRANTY

Rockford Systems, LLC warrants that this product will be free from defects in material and workmanship for a period of 12 months from the date of shipment thereof. ROCKFORD SYSTEMS LLC'S OBLIGATION UNDER THIS WARRANTY IS EXPRESSLY AND EXCLUSIVELY LIMITED to repairing or replacing such products which are returned to it within the warranty period with shipping charges prepaid and which will be disclosed as defective upon examination by Rockford Systems, LLC. This warranty will not apply to any product which will have been subject to misuse, negligence, accident, restriction and use not in accordance with Rockford Systems, LLC's instructions or which will have been altered or repaired by persons other than the authorized agent or employees of Rockford Systems, LLC. Rockford Systems, LLC's warranties as to any component part is expressly limited to that of the manufacturer of the component part.

DISCLAIMER

The foregoing Warranty is made in lieu of all other warranties, expressed or implied, and of all other liabilities and obligations on the part of Rockford Systems, LLC, including any liability for negligence, strict liability, or otherwise, and any implied warranty of merchantability or fitness for a particular purpose is expressly disclaimed.

LIMITATION OF LIABILITY

Under no circumstances, including any claim of negligence, strict liability, or otherwise, shall Rockford Systems, LLC be liable for any incidental or consequential damages, or any loss or damage resulting from a defect in the product of Rockford Systems, LLC.